

# DATATEXEL LLC

## Using Simply Modbus TCP Client to communicate with 4-20 mA input DAT8015 Modbus Server.

### Set up Simply Modbus.

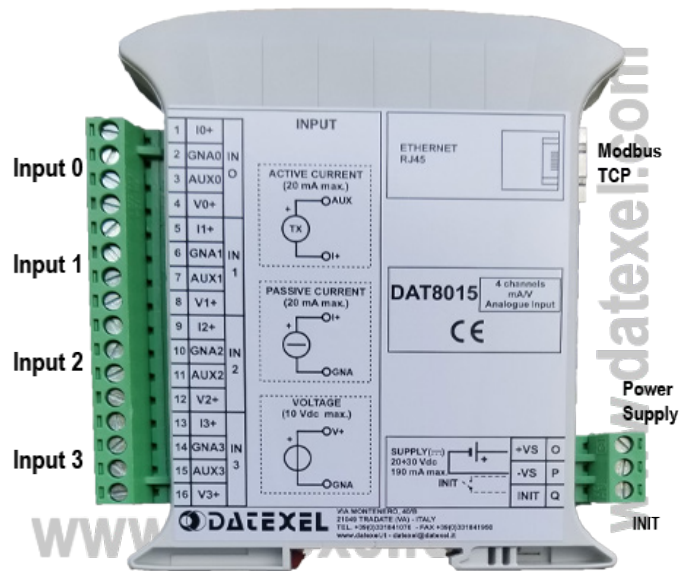
1. Download demo or purchase the Simply Modbus TCP Client Software from [www.simplymodbus.ca](http://www.simplymodbus.ca).
2. Install and run the Software.



[www.datexel.com](http://www.datexel.com)

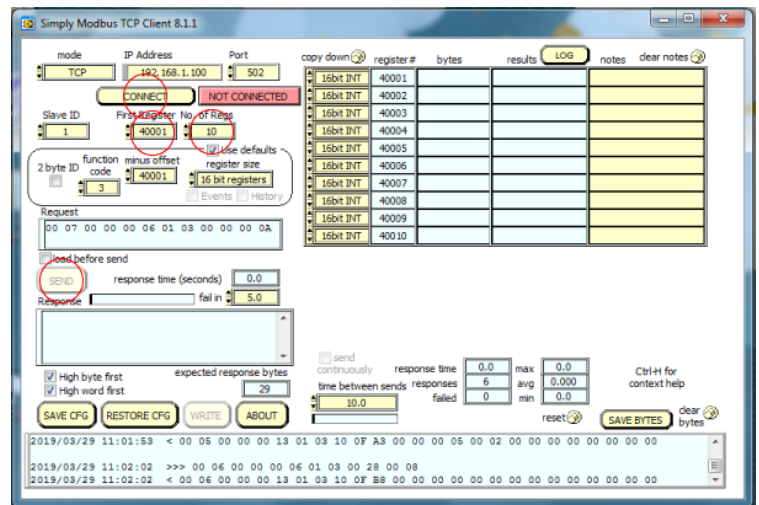
### Set up DAT8015.

1. Connect 24 Vdc to Terminal O and P.
2. Connect CAT5 crossover cable from the PC to the Ethernet Port.
3. Connect mA calibrator Input Channel 0 which is terminal 1 (IO+) and terminal 2 (GND0) Channel 0.



### Setting the Communication Port on the Simply Modbus Software.

1. Change the register under First Register to 40041. This is the register for the 4-20mA input as per information in the DAT8015 User Guide.
2. Change the No of Reg to 8 so we can see all the input registers as per the DAT8015 User Guide.
3. Click Connect.
4. Click Send.

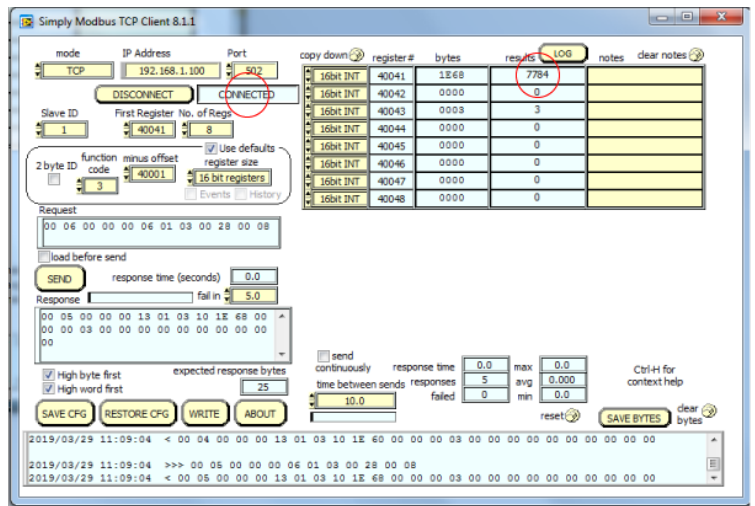


[www.datexel.com](http://www.datexel.com)

Call 561 779 5660 for Technical Support.

# Reading the Modbus Client from the Modbus Server.

1. It should now show that the Modbus Client is connected to the DAT8015 Modbus Server.
2. The reading of 7784 in Register 40041 is equivalent to 7.784 mA.



www.datexel.com